

FTTX High Performance Optical Amplifier



AT5200 EDFA Series

- **Video-Overlay for FTTx Applications**
- **Up to 128 Output Ports**
- **Optional Optical Switch**
- **Low noise, High Performance**
- **Intuitive Front Panel LCD Display**
- **Adjustable Output**
- **Universal Management with Craft Interface**
- **SNMP Management**

AT5200 2RU Erbium-Doped Fiber Amplifier (EDFA) offers a flexible and scalable optical amplification for high quality video transmission in CATV networks. Together with ACT AT5000 series 1550nm transmitter, the AT5200 EDFA provides an ideal video overlay solution in high density FTTX networks to bring the video services to business and home premises.

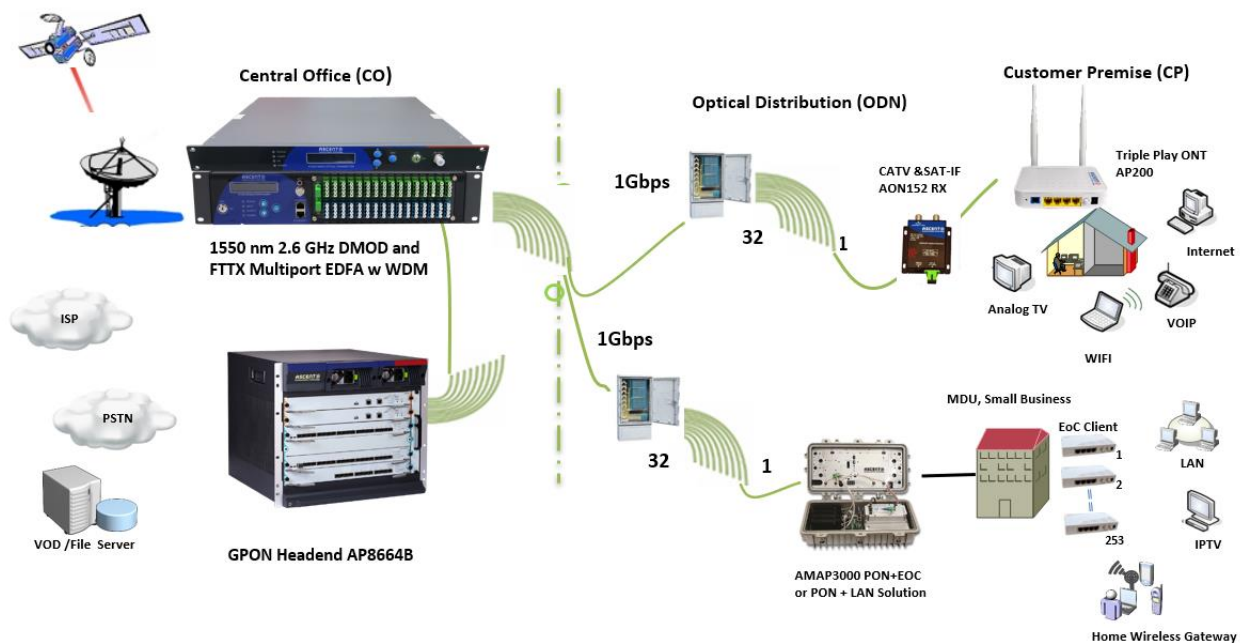
AT5200 EDFA series simplifies the application by offering low noise, high output power, and intuitive front panel LCD display to make operator's life easier. The optical amplifier is packaged in a self-contained 19" sub-rack of 1 or 2 RU with redundant universal mains power supply and SNMP management.

The optical output power level can be ordered from 13 dBm to 26dBm with variable output features available. Multiport EDFAs accommodates up to 16 output ports in 1RU setting and 64 output ports in 2RU setting. Combined with our AT5000 1550nm direct or externally modulated laser transmitter, MSOs can quickly deploy and activate advanced multi-media services in long distance video transmission and high subscriber count FTTH networks.

Key Features

- Low noise, high performance with JDSU & IPG pump laser
- FTTX high power multi-ports optical amplifier with gain spectrum band within 1540 to 1563nm
- Built-in WDM to connect PON OLT Uplink and Combined PON + CATV output
- Up to 128 uplink optical ports (OLT 1310/1490nm)
- Up to 128 combined output ports (1550nm CATV + 1310/1490nm data stream)
- Suitable for analog and digital CATV systems, DOCSIS, FTTH and more applications
- Suitable for 1550 nm DWDM applications for multiple wavelengths on single fibre
- Nominal output powers from 13dBm to 26dBm per port
- Adjustable output power
- Laser cooling: Thermoelectric Cooler (TEC)
- Extend analog and digital CATV to suit long distance feeders or larger FTTH distribution systems
- Local or remote monitoring and configuration
- SNMP/HTTP monitoring, management and control

Application Diagram

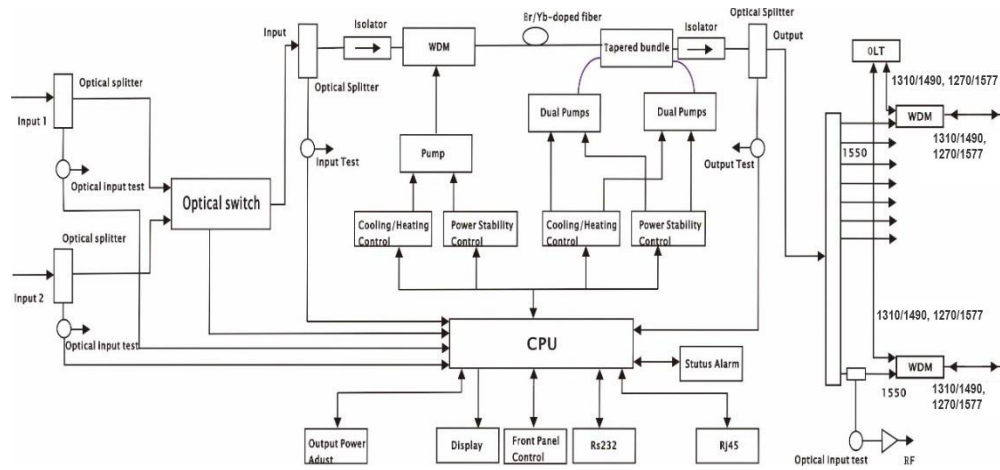


Specifications

AT5200 EDFA Erbium-Doped Fiber Amplifier - 19" 1 or 2RU

Parameter	Unit	Min.	Typ.	Max.	Note
Optical Index					
CATV Operating Wavelength	nm	1545		1565	
GPON Pass Wavelength	nm		1310/1490		CWDM
XGPON Pass Wavelength	nm		1270/1577		CWDM
OTDR Pass Wavelength	nm		1625 to 1650		CWDM
Optical Input Range	dBm	-10		+10	
Output Power	dBm			41	1 dBm interval
Output Adjustment Range	dB	-4		0	Adjustable, each step 0.1 dB
Output ATT	dB		-6		Output ATT at one time and recover
Output Ports Uniformity	dB			0.7	
Output Power Stability	dB			0.3	
Max No. of OLT PON Ports 2RU				32	SC/APC
				64	LC/APC
Max No. of COM Ports 2RU				32	SC/APC
				64	LC/APC
CATV Pass Loss	dB			0.8	
OLT Pass Loss	dB			0.8	
Isolation between CATV and OLT	dB	40			
Switching Time of Optical Switch	ms			8.0	Optional
Insertion Loss of Optical Switch	dB			0.8	GPON
	dB			1.1	XGPON
	dB			1.4	OTDR
Noise Figure	dB			6.0	Pin: 0 dBm
PDL	dB			0.3	
PDG	dB			0.4	
PMD	ps			0.3	
Remnant Pump Power	dBm			-30	
Optical Return Loss	dB	45			
Fiber Connector		SC/APC			FC/APC
					LC/APC
General Characteristics					
RF Test	dBμV	78		82	Optional
Network Management Interface		SNMP, WEB supported			
Power Supply	V	90		265	AC
		-72		-36	DC
Power Consumption	W			100	Dual PS, 1+1 standby, 40dBm
Operating Temperature	°C	-5		+65	
Storage Temperature	°C	-40		+85	
Operating Relative Humidity	%	5		95	
Dimensions (D×W×H)	mm	370 × 483 × 88			
Weight	kg	7.5			

Block Diagram



Dual Inputs Model

Ordering Information

AT 5200 Series FTTX Multiport Optical EDFA Ordering Information									
AT-	5X-	EDFA-	XX-	XX-	X-	XX-	XX	X	-X
	EDFA Type		Combined Output Ports		Optical Connector* (Common & PON)		Power Supply		
50	Multiport	08	8 Optical Outputs	SC	SC/APC & SC/PC	2	Dual PS for multiple output version		
52	Multiport + WDM	16	16 Optical Outputs	LC	LC/APC & LC/PC	2L	Dual PS for multiple output version (Fixed Output)		
	Output Power (after WDM)		PON Port Variant		Power Supply		Optical Switch or Receiver		
18	18 dBm	-	One PON Port (GPON)	AC	90 to 265 VAC Australia Plug	-	No Optical Switch or RX		
19	19 dBm	X	One PON Port (XGSPON/GPON)	DC	30 to 72 VDC	S	Built-in Optical Switch		
20	20 dBm	G	One GPON + One XGSPON Port	A3	90 to 265 VAC with Continental EU Plug	R	Built-in Optical RX		
21	21 dBm	R	One XGSPON/GPON Port + OTDR	A4	90 to 265 VAC with North America Plug	O	Built-in Optical Switch & RX		
22	22 dBm	T	GPON Port + XGSPON Port + OTDR						

- The CATV input optical connector is SC/APC. Contact ACT Sales Representative for other configs and output power.

Contact Information



Ascent Communication Technology Ltd

AUSTRALIA

140 William Street, Melbourne
Victoria 3000, AUSTRALIA
Phone: +61-3-8691 2902

CHINA

Unit 1933, 600 Luban Road
200023, Shanghai CHINA
Phone: +86-21-60232616

EUROPE

Pfarrer-Bensheimer-Strasse 7a
55129 Mainz, GERMANY

WEB: www.ascentcomtec.com

Hong Kong SAR

Unit 9, 12th Floor, Wing Tuck Commercial Centre
177 Wing Lok Street, Sheung Wan, Hong Kong SAR
Phone: +852-2851 4722

USA

2710 Thomes Ave
Cheyenne, WY 82001, USA
Phone: + 1 203 350 9822

VIETNAM

11th Floor, Hoa Binh Office Tower
106 Hoang Quoc Viet Street, Nghia Do Ward
Cau Giay District, Hanoi 10649, VIETNAM
Phone: +84-24-37955917

EMAIL: sales@ascentcomtec.com

Specifications and product availability are subject to change without notice.
Copyright © 2025 Ascent Communication Technology Limited. All rights reserved.
Ver. ACT_2RU_EDFA_PON_Series_Datasheet_V2e_Dec_2020