

## 40 Gb/s QSFP+ SR4 Transceiver with DDM



### QSFP+ Series

#### Product Overview

Ascent's QSFP-AQ-MP-85-03 QSFP transceivers are designed for use in 40 Gigabit per second links over multimode fiber. They are compliant with the QSFP+ MSA and IEEE 802.3ba 40GBASE-SR4.

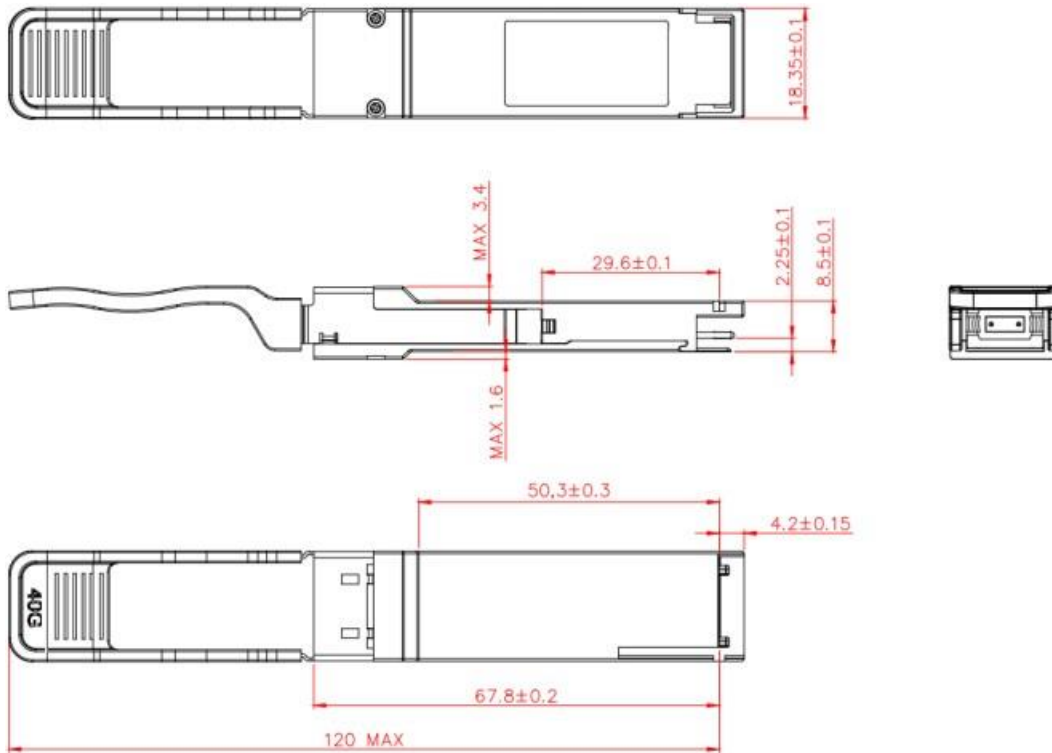
The optical transmitter portion of the transceiver incorporates a 4-channel VCSEL array, a 4-channel input buffer and laser driver, diagnostic monitors, control and bias blocks. For module control, the control interface incorporates a two-wire serial interface of clock and data signals. Diagnostic monitors for VCSEL bias, module temperature, transmitted optical power, received optical power and supply voltage are implemented and results are available through the TWS interface. Alarm and warning thresholds are established for the monitored attributes. Fault detection or channel deactivation through the TWS interface will disable the channel. Status, alarm/warning and fault information are available via the TWS interface.

The optical receiver portion of the transceiver incorporates a 4-channel PIN photodiode array, a 4-channel TIA array, a 4-channel output buffer, diagnostic monitors, and control and bias blocks. Diagnostic monitors for optical input power are implemented and results are available through the TWS interface. Alarm and warning thresholds are established for the monitored attributes.

#### Key Features

- Compliant with QSFP+ MSA Specification
- Operating Temperature(0°C to 70°C)
- 4x10Gbps 850nm VCSEL-based Transmitter
- Maximum Link Length of 300m via OM3 Multimode Fiber(MMF)
- Be compliant to the 40GbE XLPI electrical specification per IEEE 802.3ba-2010
- Be compliant to the IEEE 802.3ae 10GBASE-SR optical specification

## Outline Diagram



## Specifications

Parameter	Symbol	Min.	Typ.	Max.	Unit	Note
Operating Case Temperature	Tc	0		70	°C	
Power Supply Voltage	Vcc	3.135	3.3	3.465	V	
Operating Distance	D			300	m	OM3 MMF
Signaling Rate, each lane (range)	GBb		10.3125		GBb	
Center Wavelength	$\lambda$	840	850	860	nm	
Average Launch Power, each Lane	Pf	-4		2.4	dBm	
Signaling rate, each lane (range)	GBb		10.3125		GBb	
Center Wavelength	$\lambda$	840		860	nm	
Damage threshold		3.4			dBm	
Average power at receiver input, each lane		-11.5		2.4	dBm	
Receive power, each lane (OMA)				3	dBm	

## Ordering Information

### Product Name

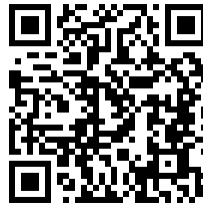
QSFP-AQ-MP-85-03

### Product Description

QSFP+ Plug-in, 40 Gbps, 300 m OM3 fiber, 400 m OM4 fiber, TX/RX 850 nm SR4, with DDM on two multi-mode fibers, MPO connector

## Contact Information

---



### Ascent Communication Technology Ltd

#### AUSTRALIA

140 William Street, Melbourne  
Victoria 3000, AUSTRALIA  
Phone: +61-3-8691 2902

#### Hong Kong SAR

Room 1210, 12th Floor, Wing Tuck Commercial Centre  
181 Wing Lok Street, Sheung Wan , Hong Kong SAR  
Phone: +852-2851 4722

#### CHINA

Unit 1933, 600 Luban Road  
200023, Shanghai, CHINA  
Phone: +86-21-60232616

#### USA

2710 Thomes Ave  
Cheyenne, WY 82001, USA  
Phone: +1 203 350 9822

#### EUROPE

Pfarrer-Bensheimer-Strasse 7a  
55129 Mainz, GERMANY  
Phone: +49 (0) 6136 926 3246

#### VIETNAM

11th Floor, Hoa Binh Office Tower  
106 Hoang Quoc Viet Street, Nghia Do Ward  
Cau Giay District, Hanoi 10649, VIETNAM  
Phone: +84-24-37955917

**WEB:** [www.ascentcomtec.com](http://www.ascentcomtec.com)

**EMAIL:** [sales@ascentcomtec.com](mailto:sales@ascentcomtec.com)

Specifications and product availability are subject to change without notice.  
Copyright © 2026 Ascent Communication Technology Limited. All rights reserved.  
Ver. ACT\_QSFP-AQ-MP-85-03\_Datasheet\_V1e\_Jan\_2020