

Optical Passives for HFC, FTTx, and RFoG Solutions



- Full Line of Optical Passives and Accessories
- WDM/CWDM/DWDM
- Optical Splitters
- Dispersion Compensation Module (DCM)
- ITU G.694 standard compliant
- Excellent Wavelength Stability
- Cost Effective Solution
- High Port Isolation
- Low Insertion Loss
- Flexibility for Customization

ACT offers a complete line of DWDMs, CWDMs, WDMs, OADM, Couplers, DCM, Optical Shelf and Accessories. The Wavelength Division Multiplexers (WDMs) feature low insertion loss, high isolation and excellent wavelength stability.

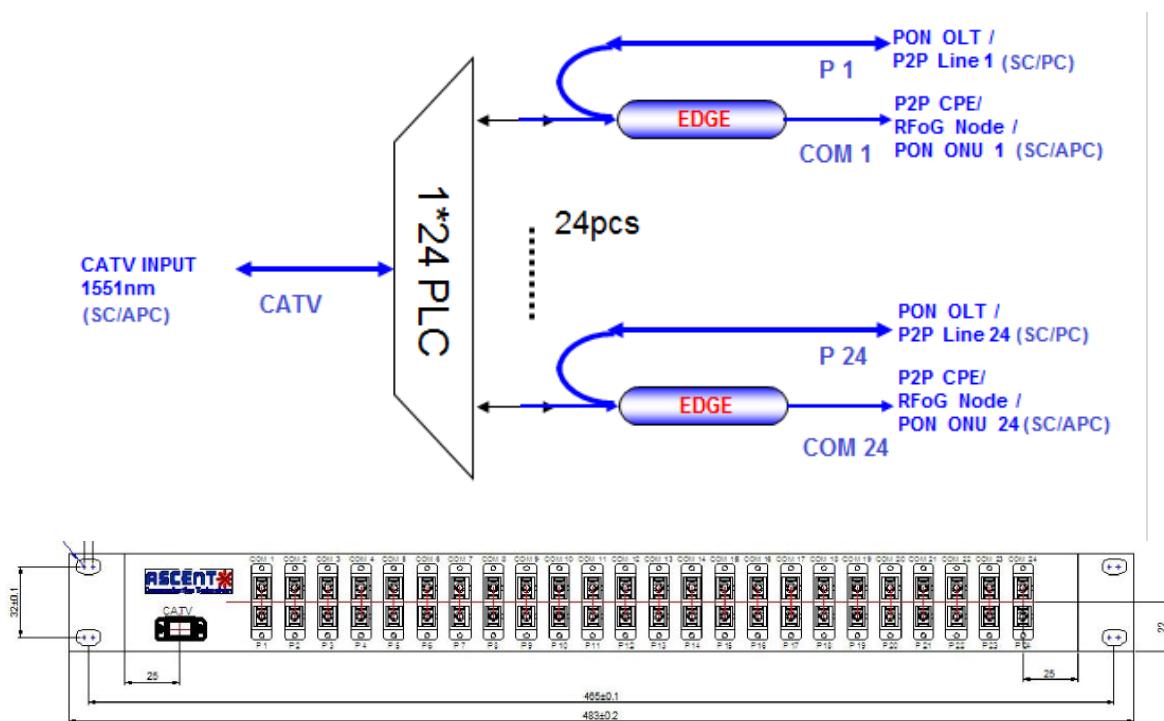
The CWDM/DWDMs are designed to multiplex (mux) or de-multiplex (demux) optical signals in full optical spectrum with CWDM/DWDM multiple channels at an ITU standards ITU-T defined spacing. It comes as different form factor packages, 1RU 19" rack-mount chassis, standard LGX modules or flat box assemblies.

ACT also developed special range of WDM units which are suitable for HFC, FTTx (P2P, P2MP), RFOG (Radio Frequency over Glass) applications, permitting DOCSIS and HFC to operate over a EPON/GPON compliant Passive Optical Network (PON) as commonly deployed for Fibre to the Home (FTTH) developments solution in high density FTTx networks to bring the video services to business and home premises.

Key Features

- Cost-effective Full Line of Optical Passives and Accessories
- WDM/CWDM/DWDM/OADM, Optical Coupler, Attenuator etc.
- ITU G.694 standard compliant
- Excellent Wavelength Stability
- High Port Isolation, low Insertion Loss
- Customization option available
- SC/APC, LC/APC, FC/APC and E2000/APC connectors available.
- Optional 1311 nm port for forward path transmission to HFC nodes
- Either single port or with internal splitter to match number of CWDM ports for feeding multiple HFC nodes over one fibre
- Options for assembly into 19" sub-racks, LGX chassis, or flat box, ready for deployment.

Sample 1RU WDM Block Diagram (P2P with Video Overlay)



Coarse wavelength division multiplexer for 1551 nm CATV overlay in P2P Active Ethernet applications. 24-port CATV RF overlay splitter with 24 x P2P Active Ethernet ports.

WDM Specifications

ACT Optical Passives WDM, (AWDM)

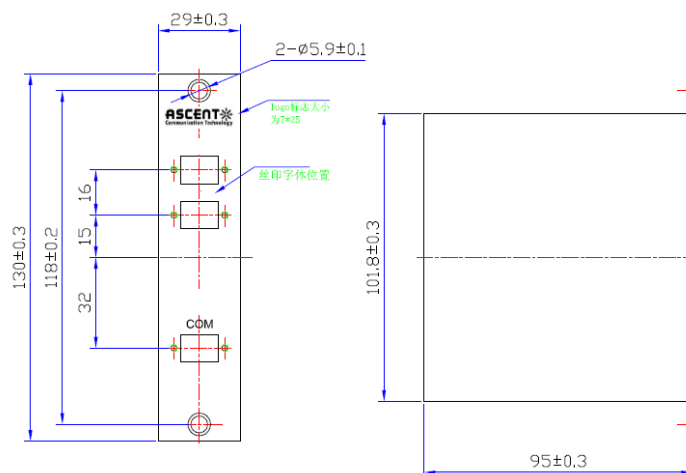
Optical Specifications

Optical Operating Wavelength	1310 nm ± 20 nm, 1550 nm ± 20 nm (Narrow Band) 1310 nm ± 40 nm, 1460 nm to 1620 nm (Wideband) 1550 nm ± 20 nm, 1590 nm to 1620 nm (RFoG/PON Narrow Band)
Pass band flatness	±0.5 dB
Insertion Loss 2 ch	1.2 dB Max
Adjacent Channel Isolation	≥30 dB
Non-Adjacent Channel Isolation	≥40 dB
Directivity	≥50 dB
Return Loss	≥45 dB

General Specifications

Operating Temperature	-40 °C to +85 °C
Storage Temperature	-40 °C to +85 °C
Operating Relative Humidity	5 % to 95 %
Dimensions (W × D × H)	Varies by model LGX: industry standard Flat Box: 100 mm × 80 mm × 10.5 mm (≤8 output ports) or 140 mm × 115 mm × 18 mm (>8 output ports)
Weight	See note
Ship Weight	See note

Note: Contact ACT for different packaging options. Weight will vary depending on model.
Losses excluding connector Loss (a pair of connector loss max: 0.5dB)



CWDM Specifications

ACT Optical Passives CWDM, (AOPC)

Optical Specifications

Operating Wavelength	1260 nm to 1360 and 1480 to 1611 nm
Channel Spacing	20 nm
Channels	2, 4, 6, 8, 10, or 12
Channel Pass band	CW \pm 7.5 nm
Pass Band Flatness	\pm 0.5 dB
Insertion Loss 2 ch	1.2 dB max.
Insertion Loss 4 ch	1.7 dB max.
Insertion Loss 8 ch	2.5 dB max.
Insertion Loss 10 ch	3.0 dB max.
Adjacent Channel Isolation	\geq 30 dB
Non-Adjacent Channel Isolation	\geq 40 dB
Directivity	\geq 50 dB
Return Loss	\geq 45 dB

General Specifications

Operating Temperature	-40 °C to +85 °C
Storage Temperature	-40 °C to +85 °C
Operating Humidity	5 % to 95 % RH (non-condensing)
Dimensions (W x D x H)	Varies by model LGX : industry standard Flat Box: 100 mm x 80 mm x 10.5 mm (\leq 8 output ports) 140 mm x 115 mm x 18 mm ($>$ 8 output ports)
Weight	Note
Ship Weight	Note



*Note: Contact ACT for different packaging options. Weight will vary depending on model.
Losses excluding connector Loss (a pair of connector loss max: 0.5 dB)*

DWDM Specifications

ACT Optical Passives DWDM (AOPD)

Optical Specifications

Operating Wavelength	1520 nm to 1580 nm
Channel Spacing	100 GHz or 200 GHz
Channels	2, 4, 6, 8, 10, or 12
Channel Pass band	ITU ± 0.22 nm (100 GHz) , ITU ± 0.50 nm (200 GHz)
Pass Band Flatness	± 0.5 dB
Insertion Loss 2 ch	1.2 dB max.
Insertion Loss 4 ch	1.7 dB max.
Insertion Loss 8 ch	2.5 dB max.
Insertion Loss 10 ch	3.0 dB max.
Adjacent Channel Isolation	≥ 30 dB
Non-Adjacent Channel Isolation	≥ 45 dB
Directivity	≥ 50 dB
Return Loss	≥ 45 dB

General Specifications

Operating Temperature	-40 °C to +85 °C
Storage Temperature	-40 °C to +85 °C
Operating Humidity	5 % to 95 % RH (non-condensing)
Dimensions (W × D × H)	Varies by model LGX : industry standard Flat Box: 100 mm × 80 mm × 10.5 mm (≤ 8 output ports) 140 mm × 115 mm × 18 mm (> 8 output ports)
Weight	Note
Ship Weight	Note

*Note: Contact ACT for different packaging options. Weight will vary depending on model.
Losses excluding connector Loss (a pair of connector loss max: 0.5dB)*



100 / 200 GHz Channel Spacing

ITU Channel	Wavelength (nm)	Color Reference
21	1560.61	RED
22	1559.79	
23	1558.98	
24	1558.17	
25	1557.36	
26	1556.96	
27	1555.75	
28	1554.94	
29	1554.13	
30	1553.33	
31	1552.52	
32	1551.72	
33	1550.92	
34	1550.12	
35	1549.32	
36	1548.51	
37	1547.72	Not used with RED/BLUE filtering
38	1546.92	
39	1546.12	
40	1545.32	
41	1544.53	
42	1543.73	
43	1542.94	
44	1542.14	
45	1541.35	BLUE
46	1540.56	
47	1539.77	
48	1538.98	
49	1538.19	
50	1537.40	
51	1536.61	
52	1535.82	
53	1535.04	
54	1534.25	
55	1533.47	
56	1532.68	
57	1531.90	
58	1531.12	
59	1530.33	

Reference ITU DWDM Chart

Optical Splitters Specifications 1x2

ACT Optical Passives Optical Splitters (AOS)

Optical Specifications

Operating Wavelength	1310 nm and 1550 nm \pm 40 nm
Configuration	1x2
Insertion Loss	Varies. See below chart
Uniformity	\leq 0.6 dB
Directivity	\geq 50 dB
Polarization Dependent Loss	\leq 0.1 dB
Return Loss	\geq 55 dB
Connectors	SC/APC, SC/PC, LC/APC, LC/PC
Fiber Types	900 μ m, 2 mm, or 3 mm

General Specifications

Operating Temperature	-20 °C to +70 °C
Storage Temperature	-40 °C to +85 °C
Operating Humidity	5 % to 95 % RH (non-condensing)
Dimensions (W \times D \times H)	LGX, Splice Tube or Flat Box (ABS): 100 mm \times 80 mm \times 10.5 mm
Weight	Weight varies depending on model.

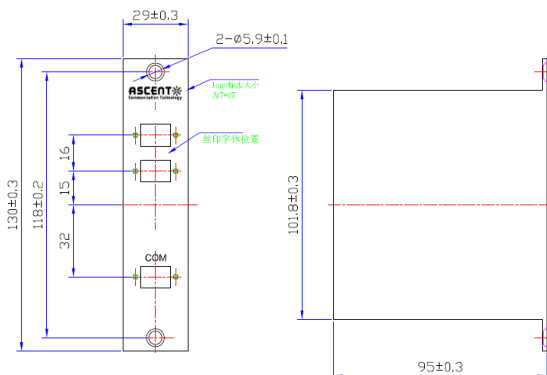
Split Ratio

50/50
55/45
60/40
65/35
70/30
75/25
80/20
85/15
90/10
95/05

Maximum Insertion Loss (dB)

3.6/3.6
3.1/4.3
2.8/4.8
2.3/5.3
2.1/6.1
1.6/7.2
1.3/8.0
1.2/9.6
0.9/11.3
0.6/15

Note: Contact ACT for different packaging options. Losses excluding connector Loss (a pair of connector loss max: 0.5 dB)



Optical Splitter Specifications 1x3

ACT Optical Passives Optical Splitters (AOS)

Optical Specifications

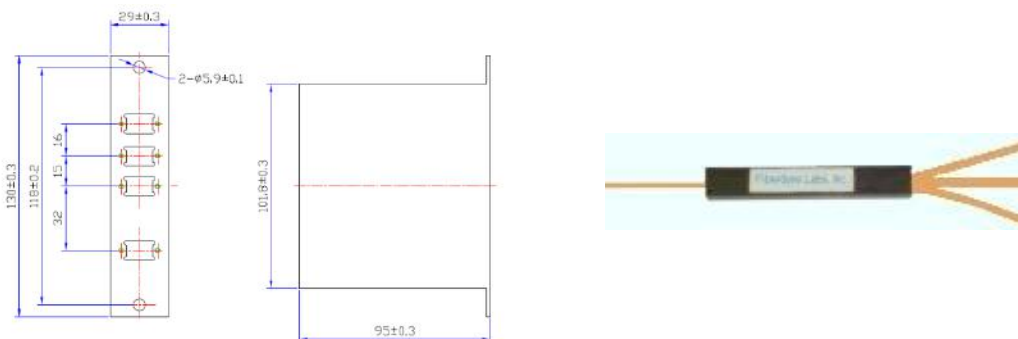
Operating Wavelength	1310 nm and 1550 nm \pm 40 nm
Configuration	1x3
Insertion Loss	Varies. See below chart
Uniformity	\leq 0.6 dB
Directivity	\geq 50 dB
Polarization Dependent Loss	\leq 0.2 dB
Return Loss	\geq 55 dB
Connectors	SC/APC, SC/PC, LC/APC, LC/PC
Fiber Types	900 μ m, 2 mm, or 3 mm

General Specifications

Operating Temperature	-20 °C to +70 °C
Storage Temperature	-40 °C to +85 °C
Operating Humidity	5 % to 95 % RH (non-condensing)
Dimensions (W \times D \times H)	LGX, Splice Tube, or Flat Box (ABS): 100 mm \times 80 mm \times 10.5 mm (\leq 8 output ports), 140 mm \times 115 mm \times 18 mm ($>$ 8 output ports)
Weight	Weight varies depending on model

Split Ratio	Maximum Insertion Loss (dB)
80/10/10	1.3/11.4/11.4
70/15/15	2/9.7/9.7
60/20/20	2.8/8/8
50/25/25	3.7/7.1/7.1
40/30/30	4.3/5.6/5.6
33/33/33	5.2/5.2/5.2
30/35/35	5.6/4.9/4.9

Note: Contact ACT for different packaging options. Losses excluding connector Loss (a pair of connector loss max: 0.5 dB)



Optical Splitters Specifications 1x4, 1x5, 1x6, 1x8

ACT Optical Passives Optical Splitters (AOS)

Optical Specifications

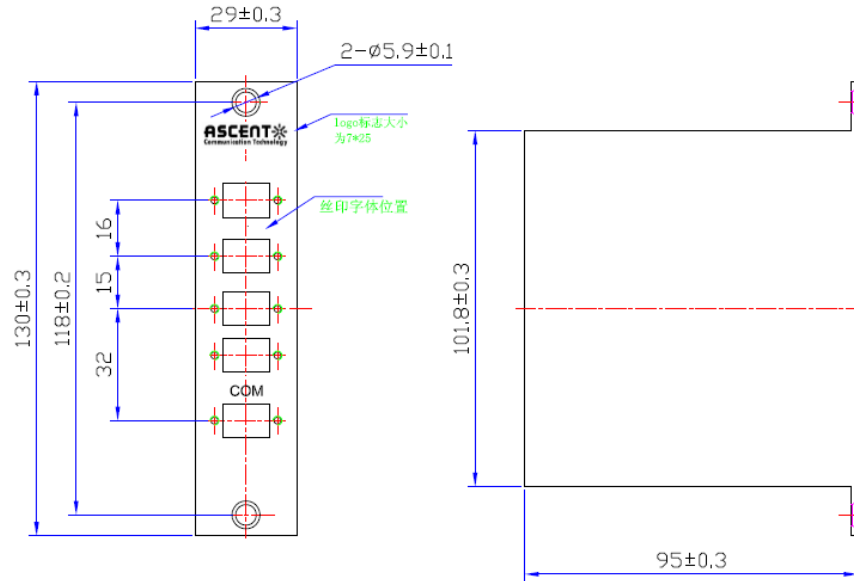
Operating Wavelength	1310 nm and 1550 nm \pm 40 nm
Configuration	1x4, 1x5, 1x6
Insertion Loss	Varies. See below chart
Uniformity	≤ 0.6 (1x4) ≤ 0.8 (1x5, 1x6) ≤ 1.8 (1x8)
Directivity	≥ 50 dB
Polarization Dependent Loss	≤ 0.3 dB
Return Loss	≥ 55 dB
Connectors	SC/APC, SC/PC, LC/APC, LC/PC
Fiber Types	900 μ m, 2 mm, or 3 mm

General Specifications

Operating Temperature	-20 °C to +70 °C
Storage Temperature	-40 °C to +85 °C
Operating Humidity	5 % to 95 % RH (non-condensing)
Dimensions (W \times D \times H)	LGX, Splice Tube or Flat Box (ABS): 100 mm \times 80 mm \times 10.5 mm
Weight	Weight varies depending on model.

Split ratio	Maximum Insertion Loss (dB)
25/25/25/25	6.8
1x5 Balanced	7.8
1x6 Balanced	8.7
1x8 Balanced	10.2

Note: Contact ACT for different packaging options. Losses excluding connector Loss (a pair of connector loss max: 0.5 dB)



Optical Splitters Specifications 1x16, 1x32, 1x64

ACT Optical Passives Optical Splitters (AOS)

Optical Specifications

Operating Wavelength	1260 nm to 1350 and 1460 to 1620 nm
Configuration	1x16, 1x32, 1x64
Insertion Loss	Varies. See below chart
Uniformity	≤1.2 dB (1x16); ≤1.5 dB (1x32); ≤2.5 dB (1x64)
Directivity	≥55 dB
Polarization Dependent Loss	≤0.4 dB
Return Loss	≥ 55 dB (Bare Fiber or APC)
Connectors	SC/APC, SC/PC, LC/APC, LC/PC
Fiber Types	900 μm, 2 mm, or 3 mm

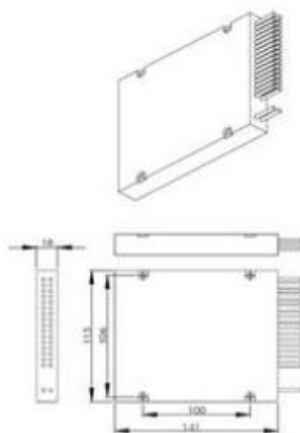
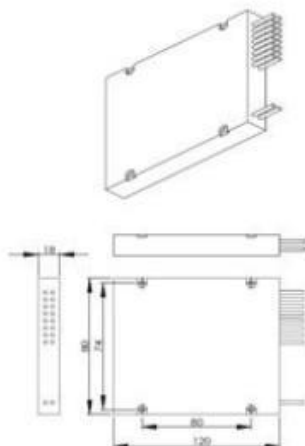
General Specifications

Operating Temperature	-20 °C to +70 °C
Storage Temperature	-40 °C to +85 °C
Operating Humidity	5 % to 95 % RH (non-condensing)
Dimensions (W × D × H)	LGX, Flat Box, or splice fiber tray
Weight	Weight varies depending on model.

Split ratio	Typical Insertion Loss (dB)	Max. Insertion Loss (dB)
1x16 Balanced	13	13.5
1x32 Balanced	16	16.9
1x64Balanced	19.5	21.0

Note: Contact ACT for different packaging options. Losses excluding connector Loss

Port	1x16	2x16	1x32	2x32	1x64	2x64
L x W x H (mm)	120x80x18				140x114x18	



PON, RFoG Passives Specifications

ACT Special HFC, FTTH, PON, RFoG Triple Play Optical Passive

Optical Specifications

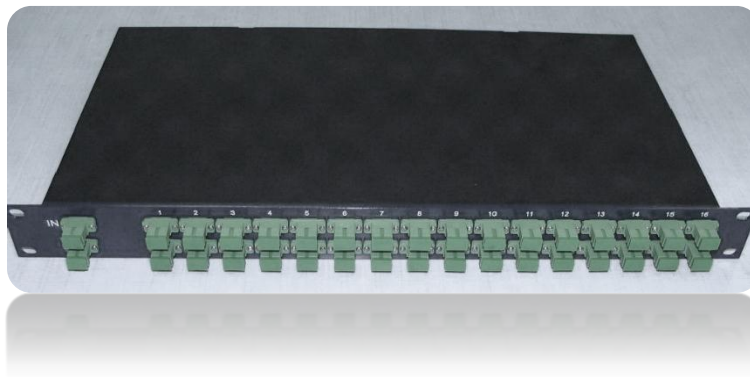
Operating Wavelength	1260 nm to 1360 & 1480 to 1620 nm
CATV Band	1540 nm to 1560 nm
Channel Spacing	20 nm
Channels	1, 2, 4, 6, 8, 12, 24, or 32
Channel Pass band	≥14 nm
Pass Band Ripple	≤0.5 dB
RF Bandwidth	47 MHz to 1003 MHz
Insertion Loss 1 ch	0.8 dB
Insertion Loss 4 ch	1.4 dB to 1.6 dB
Insertion Loss 8 ch	1.8 dB to 2.5 dB
Insertion Loss 1x24 Coupler	16.7 dB (CATV - COM), 0.8 dB (COM – PON)
Insertion Loss 1x32 Coupler	18 dB
Adjacent Channel Isolation	≥35 dB (CATV – COM)
Directivity	≥50 dB
Return Loss	≥45 dB

General Specifications

Operating Temperature	-10 °C to +70 °C
Storage Temperature	-40 °C to +85 °C
Power Supply	90 V AC to 265 V AC or 30 V DC to 72 V DC
Operating Humidity	5 % to 95 % RH (non-condensing)
Dimensions (W × D × H)	1RU: 470 mm × 225 mm × 44 mm
Weight	6 kg (1RU)
Ship Weight	8 kg (1RU)

Note: Contact ACT for different packaging options. Weight will vary depending on model.

Losses excluding connector Loss (a pair of connector loss max: 0.5 dB)



DCM Specifications

ACT 1RU Dispersion Compensation Optical Fiber Module (DCM)

Dispersion is a fiber character that causes light pulses to spread. In digital transport systems, Dispersion limits both the link's bit-rate and the maximum transmission distance that can be achieved through fiber. ACT Dispersion Compensation Module (DCM) contains passive fiber optics designed to reverse the effects of dispersion in order to correct the transmitted pulse shape.

In an analog transmission system, dispersion also limits the maximum transmission distance by increasing the magnitude of second order impairments (CSO) to the signal. ACT Dispersion Compensation Module is designed to reverse the effects of dispersion, reduce the magnitude of the CSO impairment, and restore the ability to transmit over greater distances.

Optical Specifications

Optical Wavelength	1525 nm to 1565nm
Fiber	G.652 standard single mode fiber (SMF-28)
Pass Power	30 dBm
Residual Dispersion Slope	0.00360 (nm ⁻¹) (typical)
Fiber Connector	SC/APC
General Specifications	
Operating Temperature	-30 °C to +70 °C
Storage Temperature	-40 °C to +75 °C
Operating Humidity	0 % to 85 % RH (non-condensing)
Dimensions (W × D × H)	1RU: 483 mm × 279 mm × 44 mm
Weight	3 kg (1RU)

Model	Dispersion						IL	WDL	PDL	PMD
	1525 nm		1545 nm		1565 nm					
	Ps/nm	Ps/nm	Ps/nm	Ps/nm	Ps/nm	Ps/nm	dB	dB	dB	dB
	Min	Max	Min	Max	Min	Max	Max	Max	Max	Max
DCM-020	-315	-293	-337	-319	-364	-340	3.3	0.5	0.1	0.4
DCM-040	-629	-588	-673	-640	-727	-682	4.7	0.5	0.1	0.5
DCM-060	-942	-883	-1009	-960	-1090	-1024	6.4	0.6	0.1	0.6
DCM-080	-1251	-1183	-1340	-1286	-1448	-1371	8	0.7	0.1	0.7
DCM-100	-1560	-1482	-1671	-1660	-1805	-1718	8.4	0.8	0.1	0.8
DCM-120	-1868	-1782	-1990	-1937	-2162	-2066	9.8	0.9	0.1	0.8

Note: Contact ACT for longer distances up to 120 km. Weight will vary depending on model.
Losses excluding connector Loss (a pair of connector loss max: 0.5 dB)



Optical Shelf and Frame Specifications

ACT Optical Passive Shelf and Optical Passive Distribution Frame

- Standard 19" cabinet design for convenient and quick installation.
- Specially-structured front-back latch of the cases facilitates easier adjusting and suitable for different kind of frame installation.
- Fiber can be led in from both the left and the right sides with complete front operations.
- Each module has a reliable restricting and positioning mechanism to ensure correct operations.
- Patent design for protecting bare fiber fusing point.
- 12 slots for the Shelf and 12 core fiber distribution module to utilize the place and shrink the box size
- Convenient cable fixing device

Optical Shelf Specifications

Material	1.5 mm thick cold-rolled sheet
Capacity	Up to 72 interconnectors or patches, 12 LGX modules (4RU)
Dimensions (W × H × D)	With mounting bracket 483 mm × 177 mm × 305 mm (4RU) With mounting bracket 483 mm × 44 mm × 320 mm (1RU)
Model Number	AOP-LGX-CH (4RU), AOP-LGX-CH-1RU (1RU up to 6 LGX Module),

Optical Distribution Frame Specifications

Material	1.5 mm thick cold-rolled sheet, 1 to 4RU
Insertion Loss	≤0.5 dB
Optical Connector	AS: SC/APC ; US: SC/UPC; AF: FC/APC or UF: FC/UPC
Return Loss	PC ≥ 40 dB, UPC ≥ 50 dB, APC ≥ 60 dB
Model Number	AOP-ODF-DXX-YY (XX: 36, 48, 72, 96 Fiber , YY: Optical Connector)

General Specifications

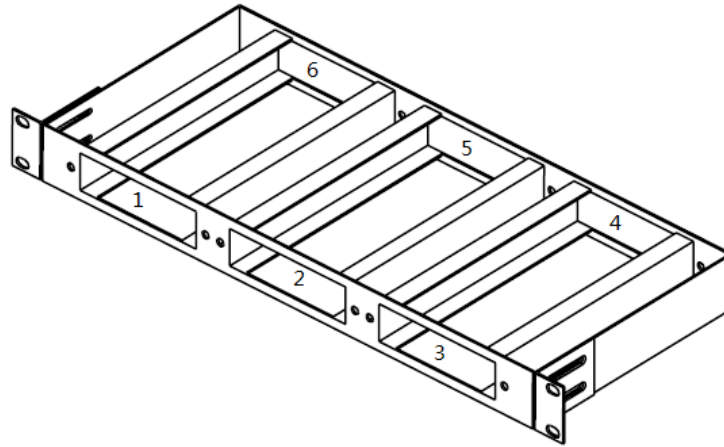
Operating Temperature	-40 °C to +85 °C
Storage Temperature	-40 °C to +85 °C
Operating Humidity	5 % to 95 % RH (non-condensing)
Weight	Varies by model type

Note: Contact ACT for different packaging options. 8°

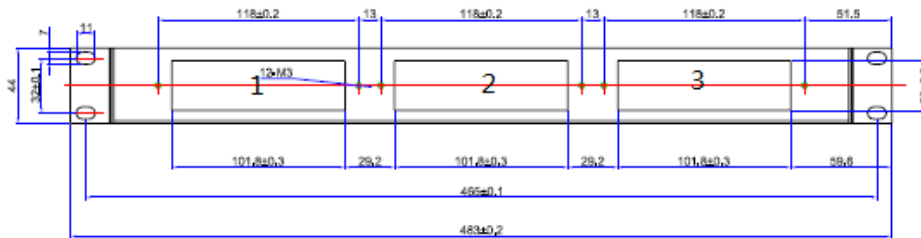
nectors.



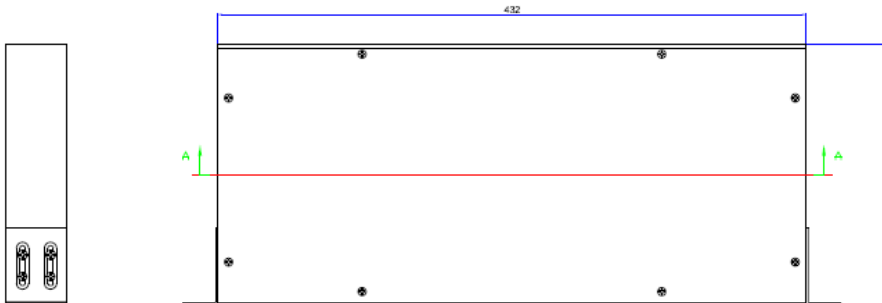
ACT Optical Passive Shelf 1RU (6 LGX slots) Mechanical Design Diagram:



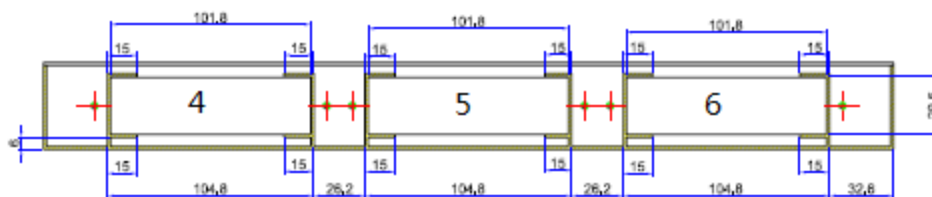
Top View without Cover



Front View with Dimensions



Top and Side View



Back View with Dimensions

Optical Splice Enclosure Specifications

ACT Optical High Density Fiber Enclosure

- High strength, low weight, low cost, non-metallic shell
- Suitable for aerial, underground duct or direct burial applications
- Can be used in through, branch or mid span splice locations
- Holds up to 144 splices
- Cable entry/exit ports
- Spacious buffer tube storage system and fiber management trays
- Pressure testing valve and earth deriving device
- Integrated seal, air tight and water proof
- Ideal for cable repair
- RoHS compliant

Optical Splice Enclosure Specifications

	Heat-shrinkable Sealing	Mechanical Sealing
Sealing Structure	Heat-shrinkable Sealing	Mechanical Sealing
Maximum Splices Capacity	24 to 144	240
Core Capacity per Tray	24	12, 24, 48
Cable Ports	9	6
Cable Diameter (max)	Ø38 mm	Ø17 mm
Dimensions (D × H)	Ø470 mm × 210 mm	Ø220 mm × 480 mm
Model Number	AOP-HSE-9-xx (xx: splices)	AOP-MSE-6-xx (xx: splices)

General Specifications

Operating Temperature	-40 °C to +85 °C
Storage Temperature	-40 °C to +85 °C
Operating Humidity	5 % to 95 % RH (non-condensing)
Weight	Varies by model type

Note: Contact ACT for different packaging options. 8° angle polished for all APC connectors.



Accessories Specifications

ACT Plug-in Optical Attenuators, Patch Cords, Pigtails and Adaptors

Optical Attenuator Specifications

Operating Wavelength	1310 nm \pm 40 nm and 1550 nm \pm 40 nm
Attenuation Level	XX: 01, 02, 03...30 dB in 1 dB steps
Attenuation Accuracy	$\leq \pm 0.5$ dB
Optical Connector	AS: SC/APC; US: SC/UPC; AF: FC/APC or UF: FC/UPC
Model Number	AOP-ATT-XX-YY (XX: Attenuation; YY: Optical Connector)



Optical Patch Cord Specifications

Fiber Type	2:3mm Single Mode, 2FO
Core standard	ITU-T G652
Fiber Length (Optional)	02: 2m, 05: 5m , 10: 30m
Dispersion	≤ 3.5 ps/km.nm at 1310nm ≤ 18 ps/km.nm at 1310nm
Insertion Loss	UPC ≤ 0.2 dB APC ≤ 0.4 dB PS ≤ 0.2 dB PC ≤ 0.2 dB
Return Loss	≥ 50 dB ≥ 60 dB (APC connector) ≥ 75 dB (PS APC 4° connector)
Working power	≥ 5 W (E2000/PS)
Optical Connector	AS: SC/APC ; US: SC/UPC; AF: FC/APC or UF: FC/UPC E2000/UPC; E2000/PS APC 4° ; FC/PC
Model Number	AOP-PCD-XX-YY-ZZ (XX, YY: Optical Connector, ZZ: Fiber Length)



Optical Pigtail Specifications

Fiber Type	3mm Single Mode, Connectorized on one end and bare on other
Fiber Length	02: 2m, 05: 5m , 10: 10m, 30: 30m
Insertion Loss	≤ 0.25 dB
Optical Connector	AS: SC/APC; US: SC/UPC; AF: FC/APC or UF: FC/UPC
Model Number	AOP-PGT-XX-ZZ (XX: Optical Connector, ZZ: Fiber Length)



Optical Adaptor Specifications

Optical Connector	AS: SC/APC; US: SC/UPC; AF: FC/APC or UF: FC/UPC LC/UPC(4 socket); E2000/E2000PS
Insertion Loss	Varies by connector types
Model Number	AOP-ADP-XX-YY (XX, YY: Optical Connector)
Insertion Loss	≤ 0.2 dB



General Specifications

Operating Temperature	-40 °C to +85 °C
Storage Temperature	-40 °C to +85 °C
Return Loss	≥ 50 dB
Minimum Mating	≥ 500 time (Ensure Attenuation ≤ 0.5dB)
Operating Humidity	5 % to 95 % RH (non-condensing)
Weight	Varies by model type

Note: Contact ACT for different packaging options. 8° angle polished for all APC connectors.

Ordering Information

Contact ACT for complete CWDM/DWDM/WDM/Optical Splitter offerings and other accessories.

Sample Configuration:

AOP-24-U-7-AE-0-9

Coarse Wavelength Division Multiplexer in 19" sub-rack 1RU for 24 x Point to Point (P2P) Active Ethernet lines or EPON/GPON with CATV overlay. SC/APC green angle-polished connectors for CATV and COM Port (CPE Side), SC/PC blue flat-polished connectors for the P2P, PON OLT side.

AOP-32-U-7-AE-0-7

Coarse Wavelength Division Multiplexer in 19" sub-rack 1RU for 32 x Point to Point (P2P) Active Ethernet lines or EPON/GPON with CATV overlay. LC/APC green angle-polished connectors for CATV and COM Port (CPE Side), LC/PC blue flat-polished connectors for the P2P, PON OLT side.

AOP-DCM-85-AS

ACT 1RU Dispersion Compensation Optical Fiber Module (DCM) 85Km, SC/APC Connector

AOS-S Optical Splitters (typical part numbers)

AOS-S-1-2-L-9XXXXXX-1	Optical Coupler, Standard 1x2, LGX Box, Coupling Ratio = 9XXXXXX, 50/50 SC/APC
AOS-S-1-2-L-0XXXXXX-1	Optical Coupler, Standard 1x2, LGX Box, Coupling Ratio = 0XXXXXX, 95/05, SC/APC
AOS-S-1-2-L-1XXXXXX-1	Optical Coupler, Standard 1x2, LGX Box, Coupling Ratio = 1XXXXXX, 90/10, SC/APC
AOS-S-1-2-L-2XXXXXX-1	Optical Coupler, Standard 1x2, LGX Box, Coupling Ratio = 2XXXXXX, 85/15, SC/APC
AOS-S-1-2-L-3XXXXXX-1	Optical Coupler, Standard 1x2, LGX Box, Coupling Ratio = 3XXXXXX, 80/20, SC/APC
AOS-S-1-2-L-4XXXXXX-1	Optical Coupler, Standard 1x2, LGX Box, Coupling Ratio = 4XXXXXX, 75/25, SC/APC
AOS-S-1-2-L-5XXXXXX-1	Optical Coupler, Standard 1x2, LGX Box, Coupling Ratio = 5XXXXXX, 70/30, SC/APC
AOS-S-1-2-L-6XXXXXX-1	Optical Coupler, Standard 1x2, LGX Box, Coupling Ratio = 6XXXXXX, 65/35, SC/APC
AOS-S-1-2-L-7XXXXXX-1	Optical Coupler, Standard 1x2, LGX Box, Coupling Ratio = 7XXXXXX, 60/40, SC/APC
AOS-S-1-3-L-6XXX9XX-1	Optical Coupler, Standard 1x3, LGX Box, Coupling Ratio = 6XXX9XX, 34/33/33, SC/APC
AOS-S-1-4-L-B000000-1	Optical Coupler LGX Box 1x4 even balanced SC/APC
AOS-S-1-5-L-B000000-1	Optical Coupler LGX Box 1x5 even balanced SC/APC
AOS-S-1-6-L-B000000-1	Optical Coupler LGX Box 1x6 even balanced SC/APC
AOS-S-1-16-F-B000000-1	Optical Coupler FLAT Box 1x16 Bare Fiber even balanced SC/APC
AOS-S-1-32-F-B000000-1	Optical Coupler FLAT Box 1x32 Bare Fiber even balanced SC/APC
AOS-S-1-64-F-B000000-1	Optical Coupler FLAT Box 1x64 Bare Fiber even balanced SC/APC

AOP-LGX-CH-1RU

AOP Optical LGX Chassis 1RU, 19 inches wide, 6 standard LGX slots

Contact Information



Ascent Communication Technology Ltd

AUSTRALIA

961 Mountain Highway, Boronia
Victoria 3155, AUSTRALIA
Phone: +61-488 293 682

HONG KONG SAR

Unit 9, 12th Floor, Wing Tuck Commercial Centre
177 Wing Lok Street, Sheung Wan, HONG KONG
Phone: +852-2851 4722

CHINA

Unit 1907, 600 Luban Road
200023, Shanghai CHINA
Phone: +86-21-60232616

USA

2710 Thomes Ave, Cheyenne
WY 82001, USA
Phone: +1-203 816 5188

EUROPE

Pfarrer-Bensheimer-Strasse 7a
55129 Mainz, GERMANY
Phone: +49 (0) 6136 926 3246

VIETNAM

15 /F TTC Building, Duy Tan Street, Cau Giay Dist.
Hanoi, VIETNAM
Phone: +84 168 481 8348

WEB: www.ascentcomtec.com

EMAIL: sales@ascentcomtec.com

Specifications and product availability are subject to change without notice.

Copyright © 2016 Ascent Communication Technology Limited. All rights reserved.

Ver. ACT_Optical_Passive_WDM_Datasheet_V2a_Aug_2016